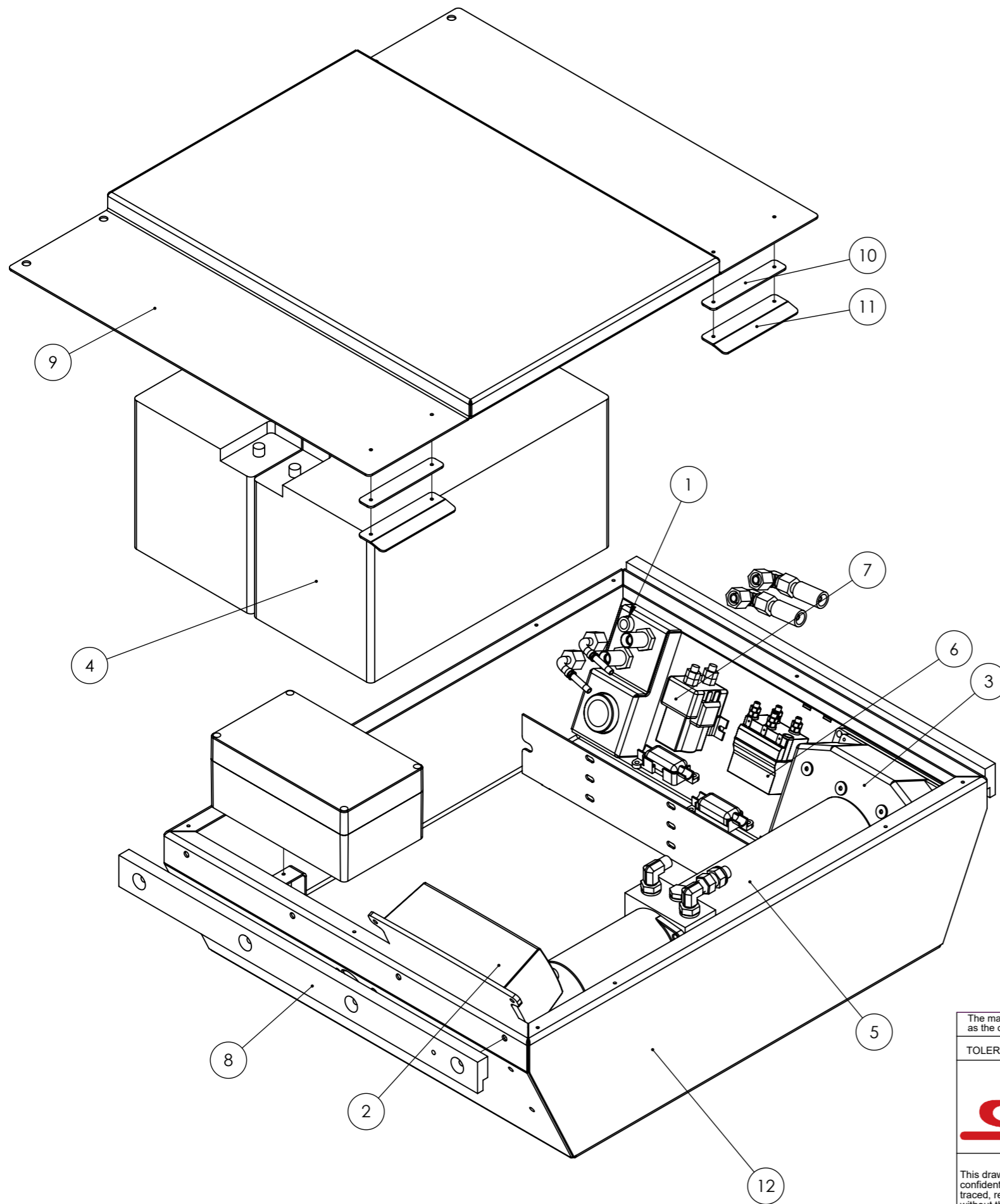



REV.	NOTE



ITEM NO.	PART NUMBER	DESCRIPTION	QTY.
1	011019	M16x1,5 fitting, straight	1
2	011397	Blue power charger 12/24	1
3	011716	250A Curtis motor controller	1
4	011810	G14 Varta AGM 95Ah	2
5	011820	Hydraulic pump	1
6	011828	Motor Reversing relay	1
7	011879	SW80-357P 24V	1
8	2210100901	Slide for battery box	2
9	2210100902	Lid for battery box	1
10	2210100903	Distance plate for lid	2
11	2210100904	Locking plate for lid	2
12	2210100920	Battery box weldment	1

The manufacturer is responsible for checking the applied K-factors as well as the current standard for folding and adjust it to fit the sheet forming machinery.		Weight: 84.23 kg	Sheet 1 of 1	
TOLERANCES UNLESS OTHERWISE NOTED		Material: ,	Refer to drawing:	
		Description: Battery box assembly		Coating:
		Material handling: - - -		NOTES:
PROPERTY INFORMATION This drawing, its design detail, dimension, tolerances and disclosure are the confidential information and exclusive property of SmartLift, and shall not be traced, reproduced or copied in any manner nor disclosed to any outside party without the prior written consent of SmartLift, all rights reserved.		TITLE :		DWN. BY: MR DATE: 01-01-2019 LAST UPDT: 01-03-2019
				REV.: REV. DATE: SCALE: 1:5
		DWG NO.: 2210100900		